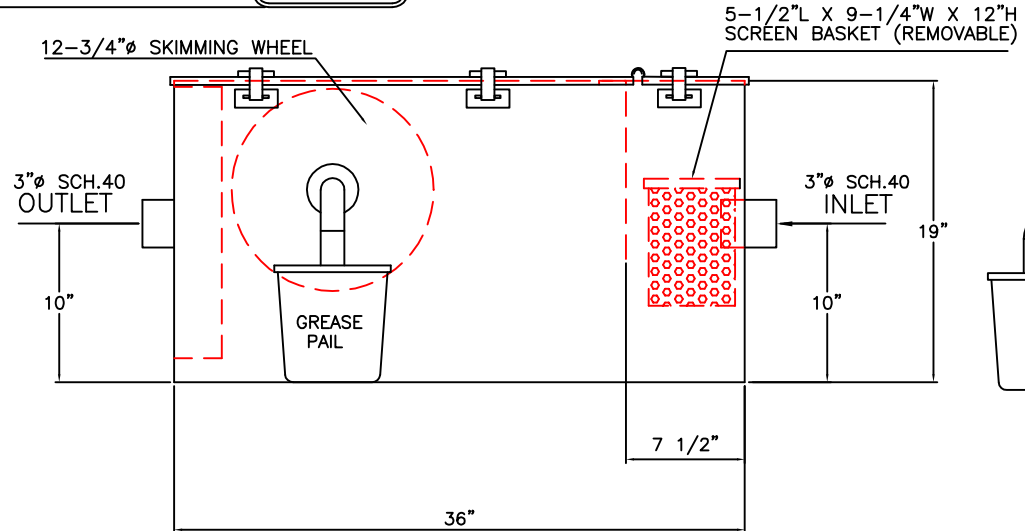
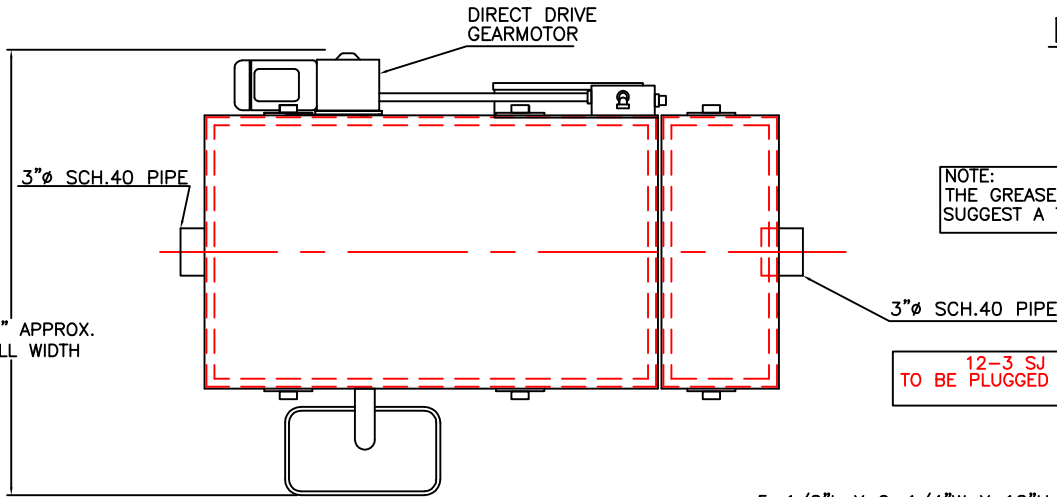
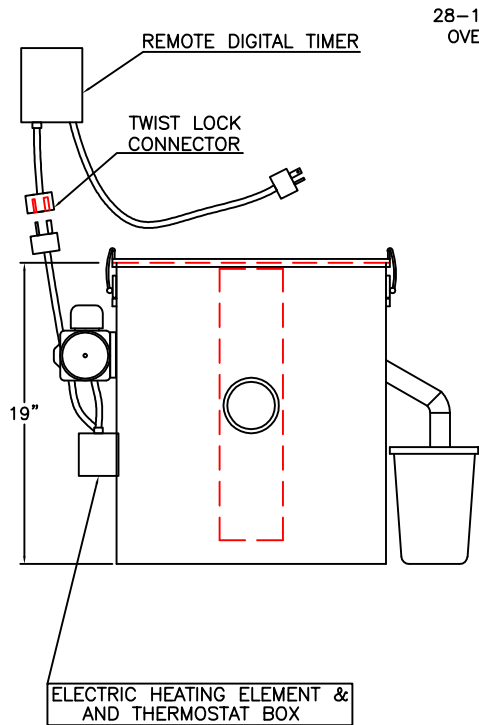


GENERAL SPECIFICATIONS

NO. REQ'D:
 MODEL: 30 R-L
 MATERIAL: 304 STAINLESS STEEL
 2-B FINISH
 GAUGE OR THICKNESS OF MATERIAL
 14 ga. THROUGHOUT
 APPROX. WEIGHT: 137 lbs.
 STATIC WATER CAPACITY: 17.1
 GREASE HOLDING CAPACITY: 90.5 lbs.
 RETENTION TIME: 40.4 SEC.



RIGHT TO LEFT FLOW

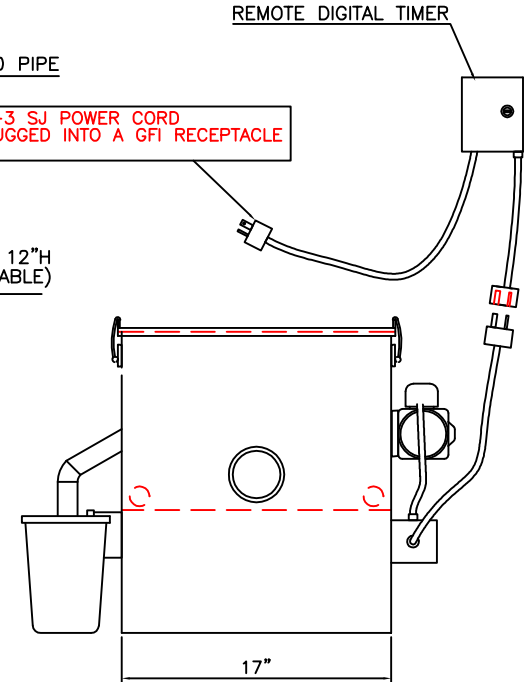
ELECTRICAL INFORMATION


UNIT MUST BE PLUGGED INTO A GFI(GROUND FAULT INTERRUPT)RECEPTACLE.

GEARMOTOR- .933 FLA. 115V, 60hz
 ELECTRIC HEATING ELEMENT- 115 V, 1500 W

NOTE:
 THE GREASE STOPPER IS NOT A TRAP FOR SEWER GAS WE SUGGEST A TRAP DOWN STREAM FROM THE GREASE STOPPER.

12-3 SJ POWER CORD TO BE PLUGGED INTO A GFI RECEPTACLE



REVISIONS			
		<h1>Highland Tank</h1>	
GREASE STOPPER MODEL 30 RIGHT - LEFT			
CUSTOMER:			
PROJECT:			
QUOTE NO:			
SCALE:	DATE:	DWG. BY:	CHK'D BY:
1-1/2"=1'-0"	03/28/06	CLD	
DWG. NO.:			GS30RL