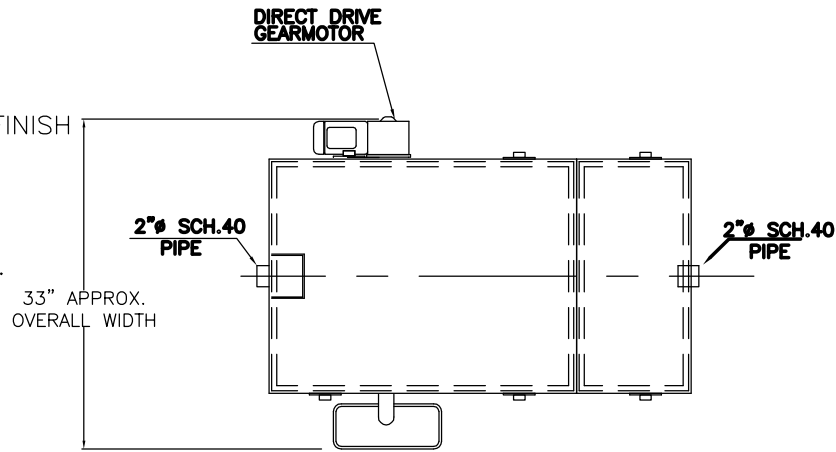


GENERAL SPECIFICATIONS

NO. REQ'D:
 MODEL: 25 R-L LO-BOY
 MATERIAL: 304 STAINLESS STEEL 2-B FINISH
 GAUGE OR THICKNESS OF MATERIAL
 12 ga. THROUGHOUT
 APPROX. WEIGHT: 148 lbs.
 STATIC WATER CAPACITY: 19 gal
 GREASE HOLDING CAPACITY: 82.27 lbs.
 RETENTION TIME: 35.5 SEC.



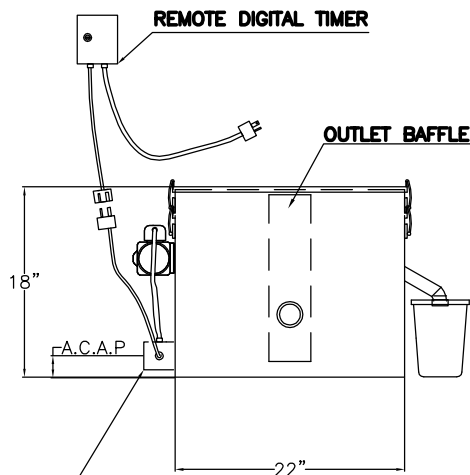
ELECTRICAL INFORMATION

UNIT MUST BE PLUGGED INTO
 A GFI(GROUND FAULT INTERRUPT)RECEPTACLE.

GEARMOTOR- .933 FLA. 115V, 60hz

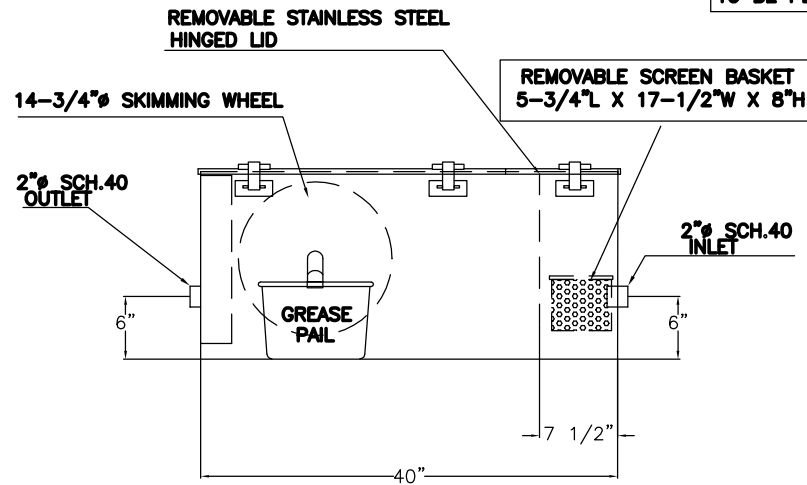
ELECTRIC HEATING ELEMENT- 115 V, 1500 W

NOTE:
 THE A.G.I. IS NOT A TRAP FOR SEWER GAS WE
 SUGGEST A TRAP DOWN STREAM FROM THE A.G.I.



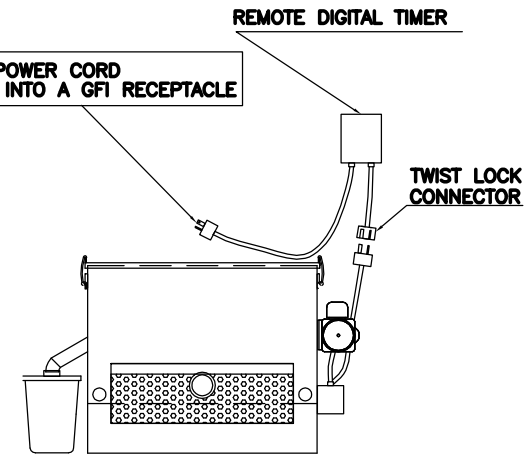
ELECTRIC HEATING ELEMENT
 AND THERMOSTAT BOX

NOTE: THERMOSTAT PRESET AT 80° OR LESS
 FROM FACTORY.



RIGHT TO LEFT FLOW

8' 12-3 SJ POWER CORD
 TO BE PLUGGED INTO A GFI RECEPTACLE



REVISIONS	
 Highland Tank	
GREASE STOPPER MODEL 25 LO-BOY RIGHT TO LEFT	
CUSTOMER:	
PROJECT:	
QUOTE NO:	CHK'D BY:
SCALE: 1"=1'	DATE: 3/14/07
DWG. BY: CLO	DWG. NO: GS25L-RL

NOTE: ALL RIGHTS RESERVED. THIS
 DRAWING MUST NOT BE REPRODUCED IN
 ANY FORM WITHOUT THE WRITTEN
 PERMISSION OF HIGHLAND TANK®.
 HIGHLAND TANK® SHALL BE RESPONSIBLE
 ONLY FOR ITEMS INDICATED ON THIS
 FABRICATION DRAWING UNLESS OTHERWISE
 NOTED. CUSTOMER IS RESPONSIBLE FOR
 VERIFYING CORRECTNESS OF SIZE AND
 LOCATION OF FITTINGS, ACCESSORIES, AND
 COATINGS SHOWN ON THIS DRAWING.