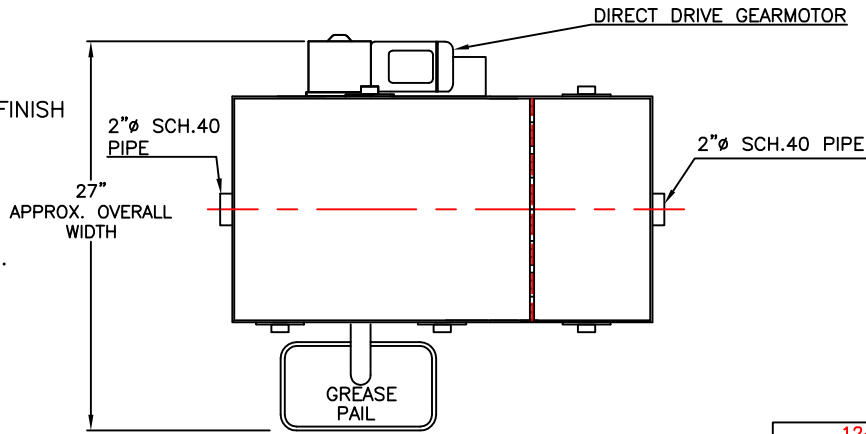


GENERAL SPECIFICATIONS

NO. REQ'D:
 MODEL: 20 R-L
 MATERIAL: 304 STAINLESS STEEL 2-B FINISH
 GAUGE OR THICKNESS OF MATERIAL
 14 ga. THROUGHOUT
 APPROVED LABELS: U.L. 1D42
 APPROX. WEIGHT: 131 lbs.
 STATIC WATER CAPACITY: 12.7
 GREASE HOLDING CAPACITY: 68.72 lbs.
 RETENTION TIME: 37.3 SEC.

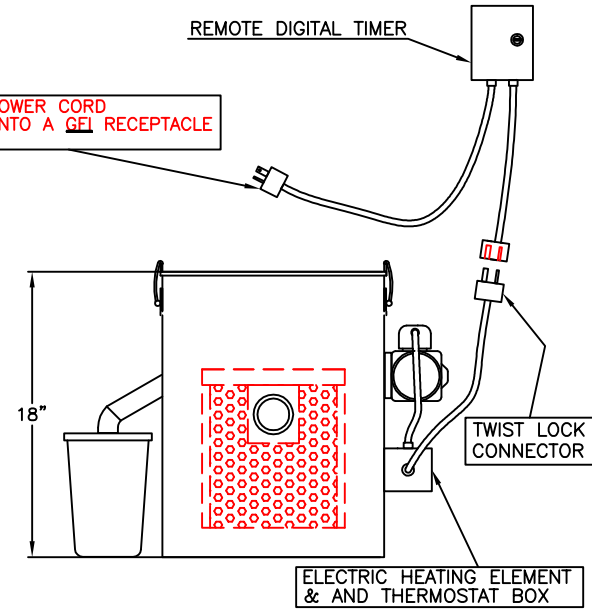
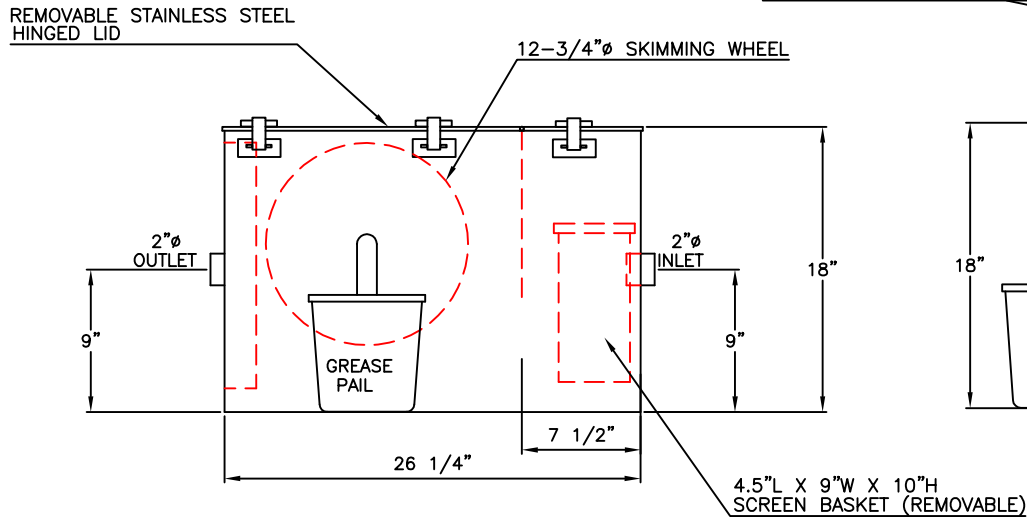
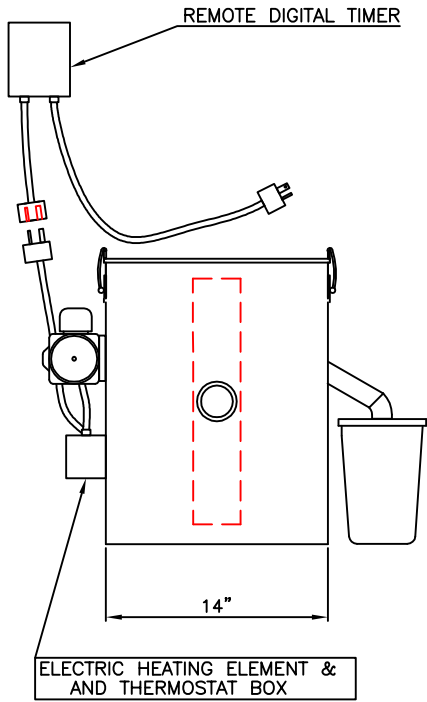


ELECTRICAL INFORMATION


**UNIT MUST BE PLUGGED INTO
 A GFI(GROUND FAULT INTERRUPT)RECEPTACLE.**

GEARMOTOR- .933 FLA. 115V, 60hz
 ELECTRIC HEATING ELEMENT- 115 V, 1500 W

NOTE:
 THE GREASE STOPPER IS NOT A TRAP FOR SEWER GAS WE
 SUGGEST A TRAP DOWN STREAM FROM THE GREASE STOPPER.



RIGHT TO LEFT FLOW

REVISIONS				
		<h1>Highland Tank</h1>		
GREASE STOPPER MODEL 20 GS20 R-L				
CUSTOMER:				
PROJECT:				
QUOTE NO:				
SCALE: 1-1/2"=1'-0"	DATE: 11/28/06	DWG. BY: CLO	CHK'D BY:	DWG. NO.: GS20R-L