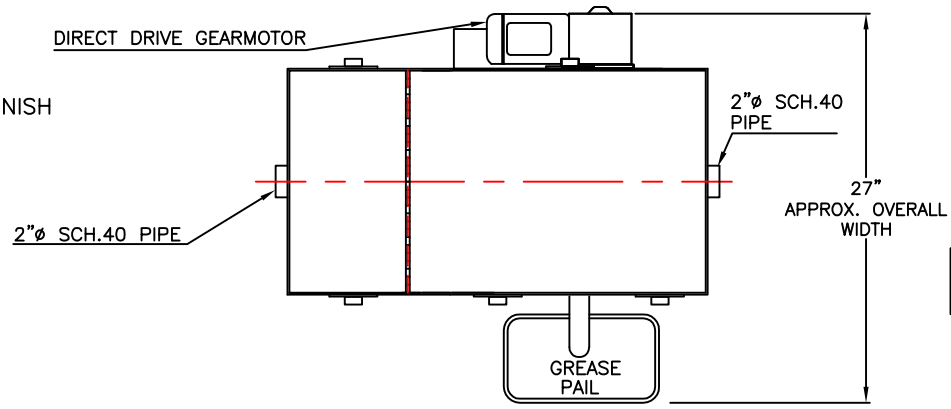


GENERAL SPECIFICATIONS

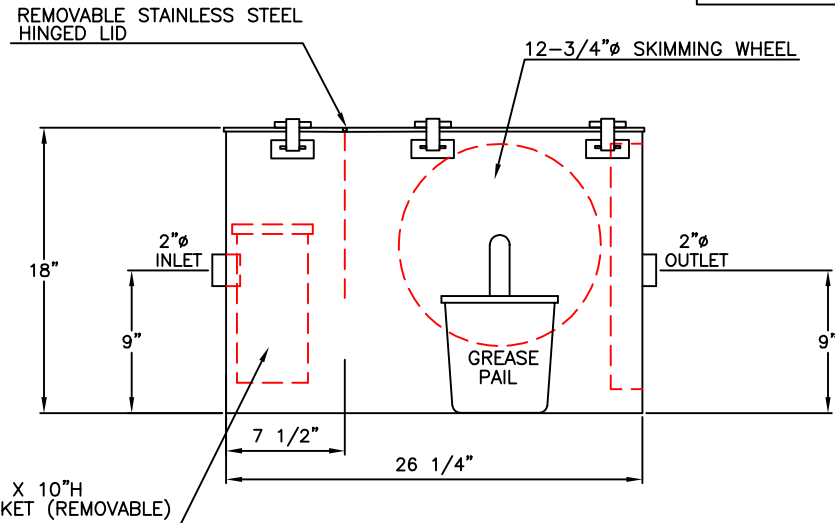
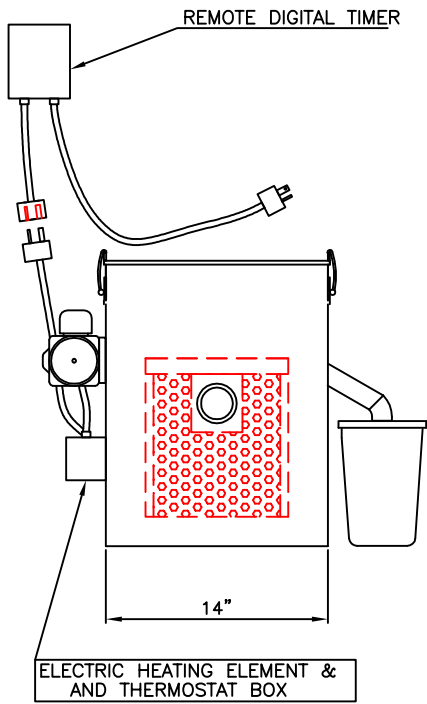
NO. REQ'D:
 MODEL: 20 L-R
 MATERIAL: 304 STAINLESS STEEL 2-B FINISH
 GAUGE OR THICKNESS OF MATERIAL
 14 ga. THROUGHOUT
 APPROVED LABELS: U.L. 1D42
 APPROX. WEIGHT: 131 lbs.
 STATIC WATER CAPACITY: 12.7
 GREASE HOLDING CAPACITY: 68.72 lbs.
 RETENTION TIME: 37.3 SEC.



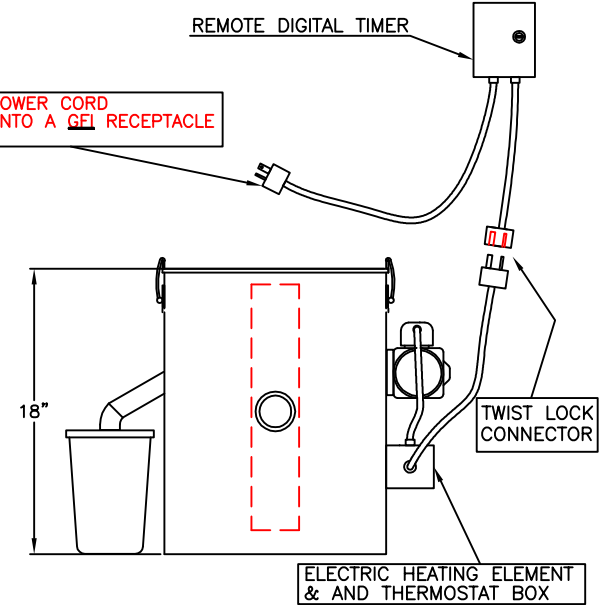
ELECTRICAL INFORMATION

UNIT MUST BE PLUGGED INTO A GFI(GROUND FAULT INTERRUPT)RECEPTACLE.
 GEARMOTOR- .933 FLA. 115V, 60hz
 ELECTRIC HEATING ELEMENT- 115 V, 1500 W


NOTE:
 THE GREASE STOPPER IS NOT A TRAP FOR SEWER GAS WE SUGGEST A TRAP DOWN STREAM FROM THE GREASE STOPPER.



12-3 SJ POWER CORD TO BE PLUGGED INTO A GFI RECEPTACLE



LEFT TO RIGHT FLOW

REVISIONS				
		<h1>Highland Tank</h1>		
GREASE STOPPER MODEL 20 GS20 L-R				
CUSTOMER:				
PROJECT:				
QUOTE NO:				
SCALE: 1-1/2"=1'-0"	DATE: 11/15/06	DWG. BY: CLO	CHK'D BY:	DWG. NO.: GS20L-R